



Hot Water Pumps up to 220 °C

Regenerative turbine pumps with magnetic coupling

High pressures with compact design
Leakage-free and maintenance-free
Safe for a long service life

speck | 

Hot water pumps up to 220 °C

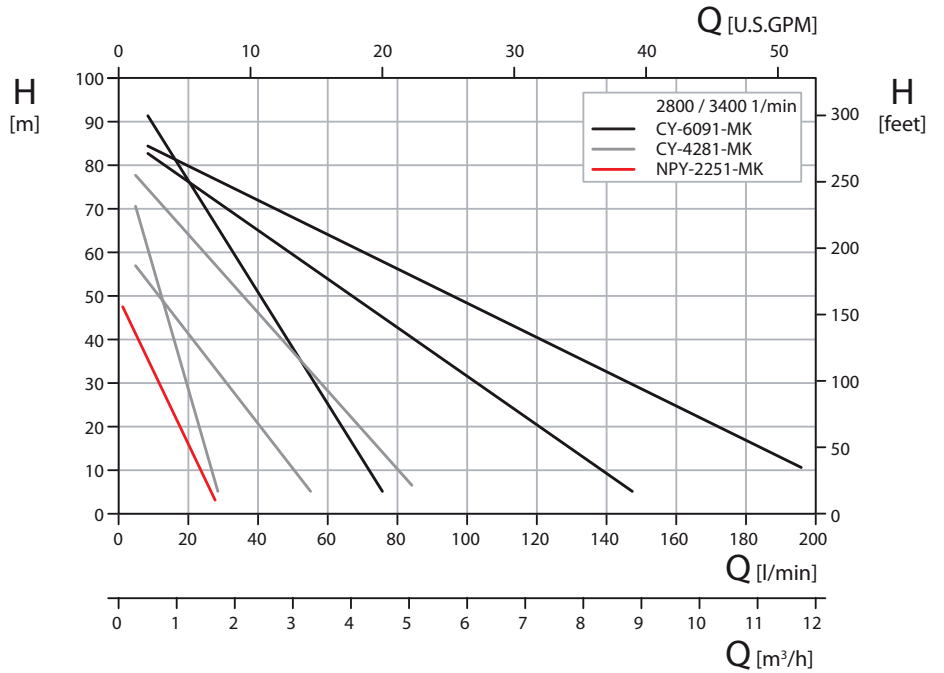
NPY-2251-MK-HT
CY-4251-MK-HT
CY-6091-MK-HT

Regenerative turbine pumps by Speck Pumpen are used in a variety of aggregates and systems for decades. This fully developed pumps are extremely compact, robust, durable and secure.

These tried-and-true NPY-2251-MK-HT, CY-4281-MK-HT and CY-6091-MK-HT series are now available for hot water up to 220 °C.

Three different hydraulics are available for CY-4281-MK-HT and CY-6091-MK-HT types. The characteristic curves for 50 Hz and 60 Hz are identical.

Nominal pressure 30 bar – higher nominal pressures upon request



Flexible

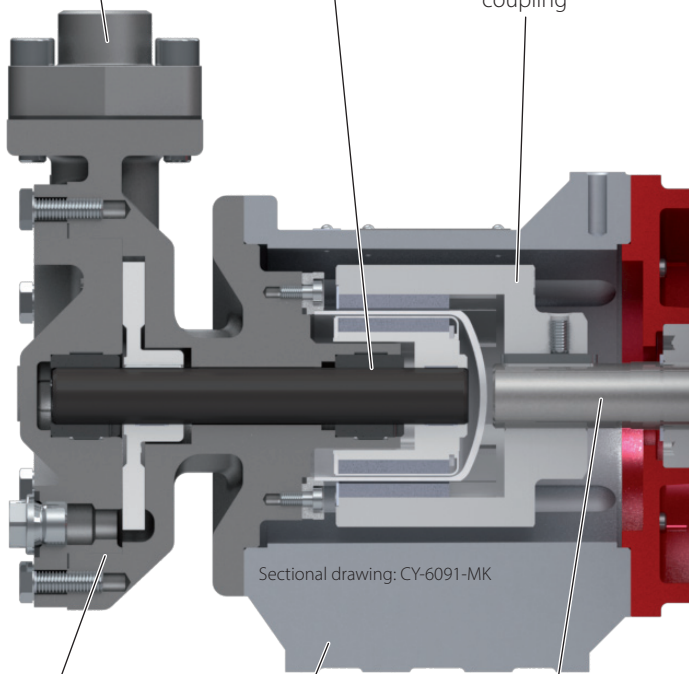
SAE or threaded connections available

Long service life

Shafts & robust sleeve bearings made of SiC

Safe and maintenance-free

Hermetically sealed due to magnetic-coupling



Robust

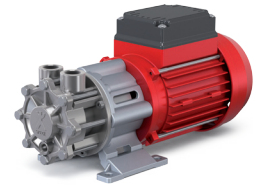
Stainless steel casing

Flexible

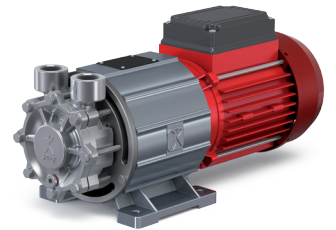
Bracket with feet i.e. choice of terminal box positions

Compact

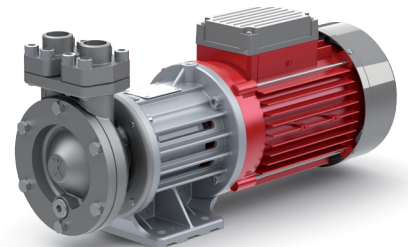
Closed-coupled design with few components



NPY-2251-MK-HT



CY-4281-MK-HT



CY-6091-MK-HT

Illustrations are non-binding.